

CONFIDENTIAL

THIS DOCUMENT AND INFORMATION CONTAINED HEREIN IS PROPRIETARY AND CONFIDENTIAL TO PRECOR STRENGTH INCORPORATED. RECIPIENTS OF THIS DOCUMENT AGREE THAT THIS DOCUMENT AND INFORMATION WILL NOT BE USED FOR ANY PURPOSE, REPRODUCED OR COPIED, OR DISCLOSED TO ANY THIRD PARTY, EITHER IN WHOLE OR IN PART WITHOUT PRIOR EXPRESS WRITTEN PERMISSION OF PRECOR STRENGTH, INCORPORATED.

PRECOR USA
PRECOR STRENGTH, INC.

28936 AVE WILLIAMS
VALENCIA, CA 91355
TELEPHONE: 661-362-0300

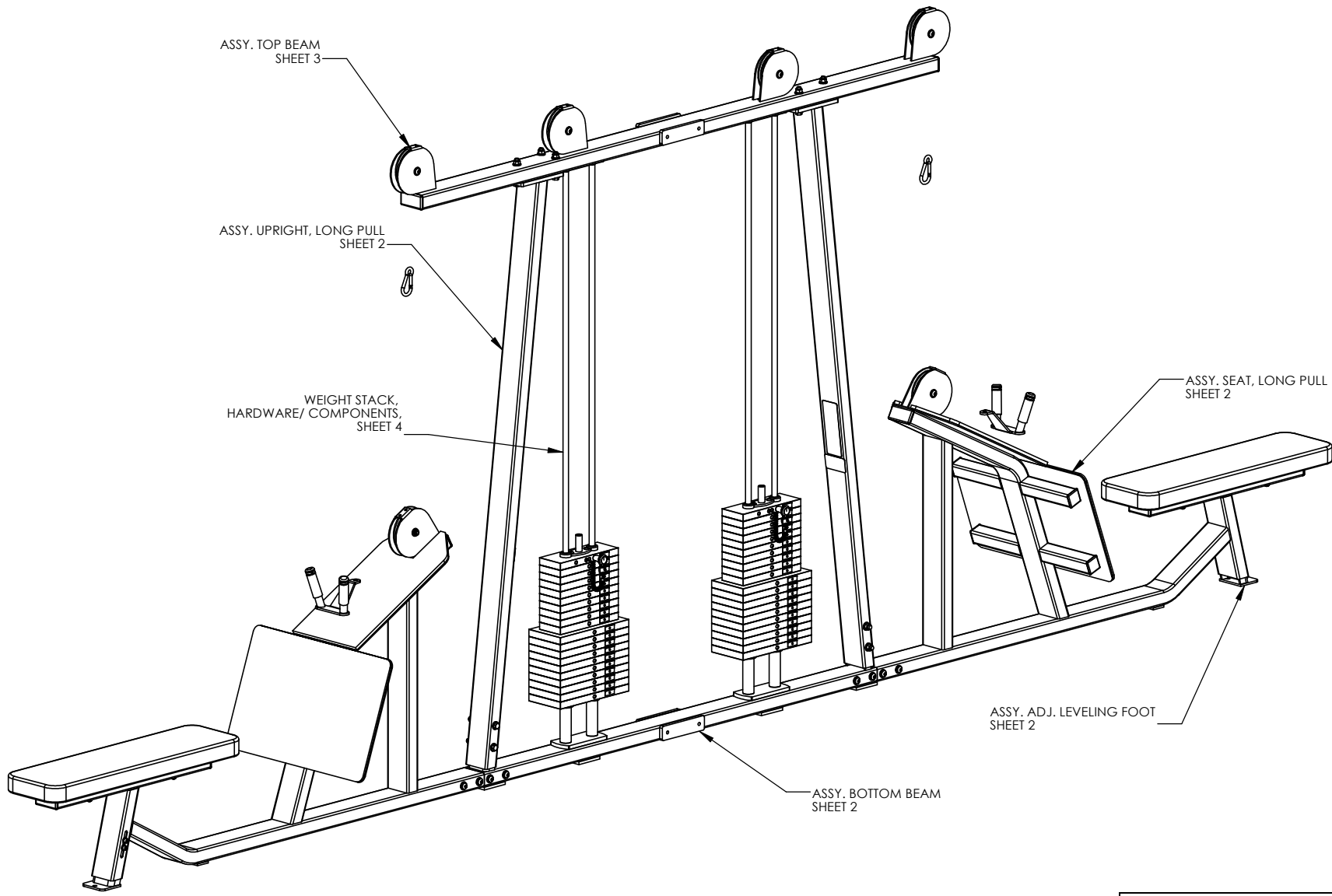
SIGN IN BLUE OR BLACK INK ONLY			UNLESS OTHERWISE SPECIFIED: DIMENSIONS ARE IN INCHES		
DRWN BY	01.02.07	MGP	TOLERANCES ARE:		
DWG CHK			LIN	.X=±0.1	.XXX=±0.010
ENG	01.02.07	RSG	LIN	.XX=±0.02	.XXXX=±0.0001
MFNG ENG			ANGULAR: ±1.0°		
CS			ALL DIMS AFTER PLATING		
QA			BREAK ALL SHARP EDGES		
ID			REMOVE ALL BURRS		
REG			ALL ANGLES & BENDS 90°		
			DWG PER ASME Y14.5M-1994		
			DO NOT SCALE DRAWING		
			ALL MACHINED SURFACES		

PRODUCT: **STRENGTH**

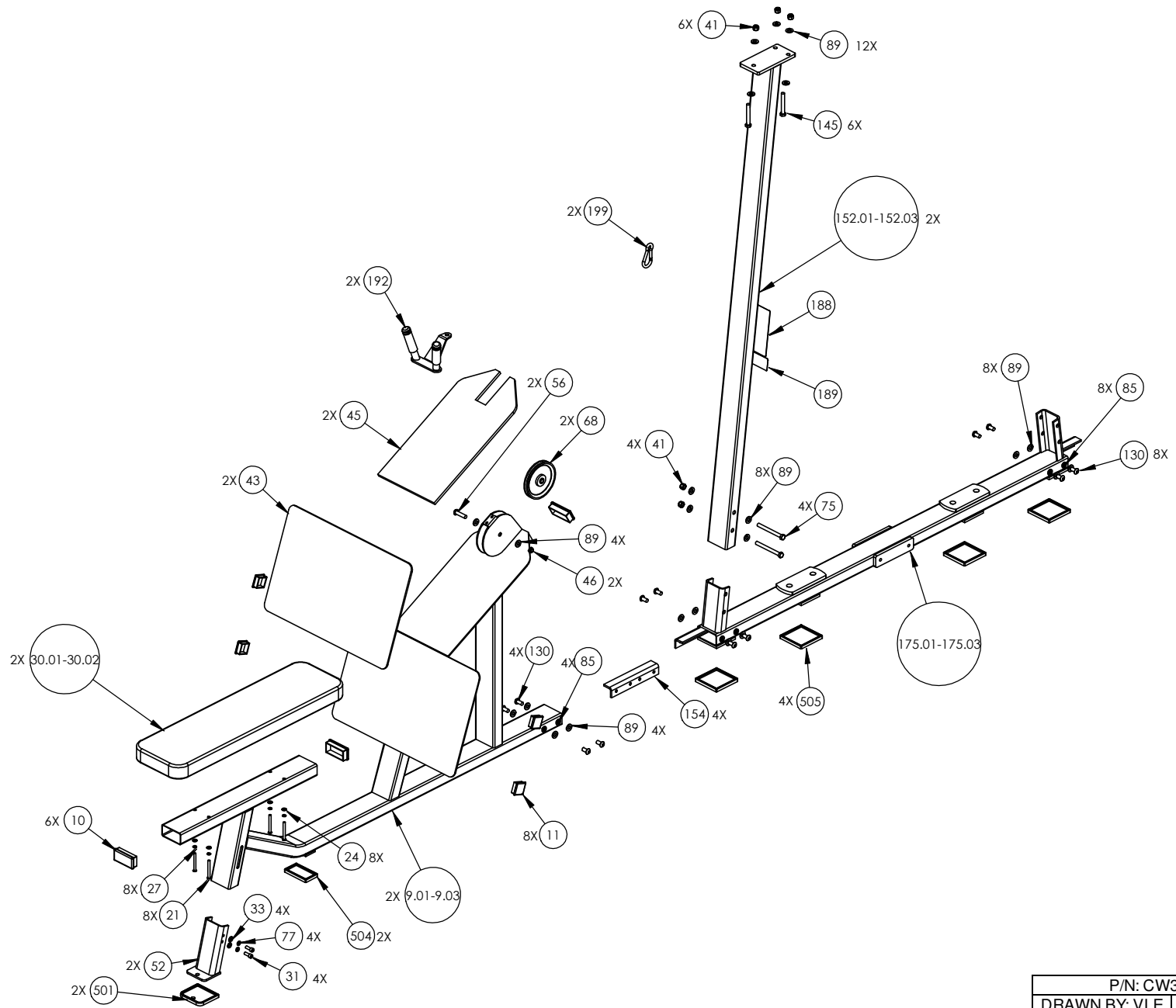
ASSEMBLY CONNECTION, 10.5, W/ 1 PULLEY HSG

DWG. NO.	SUBREV
CW31868-402	A

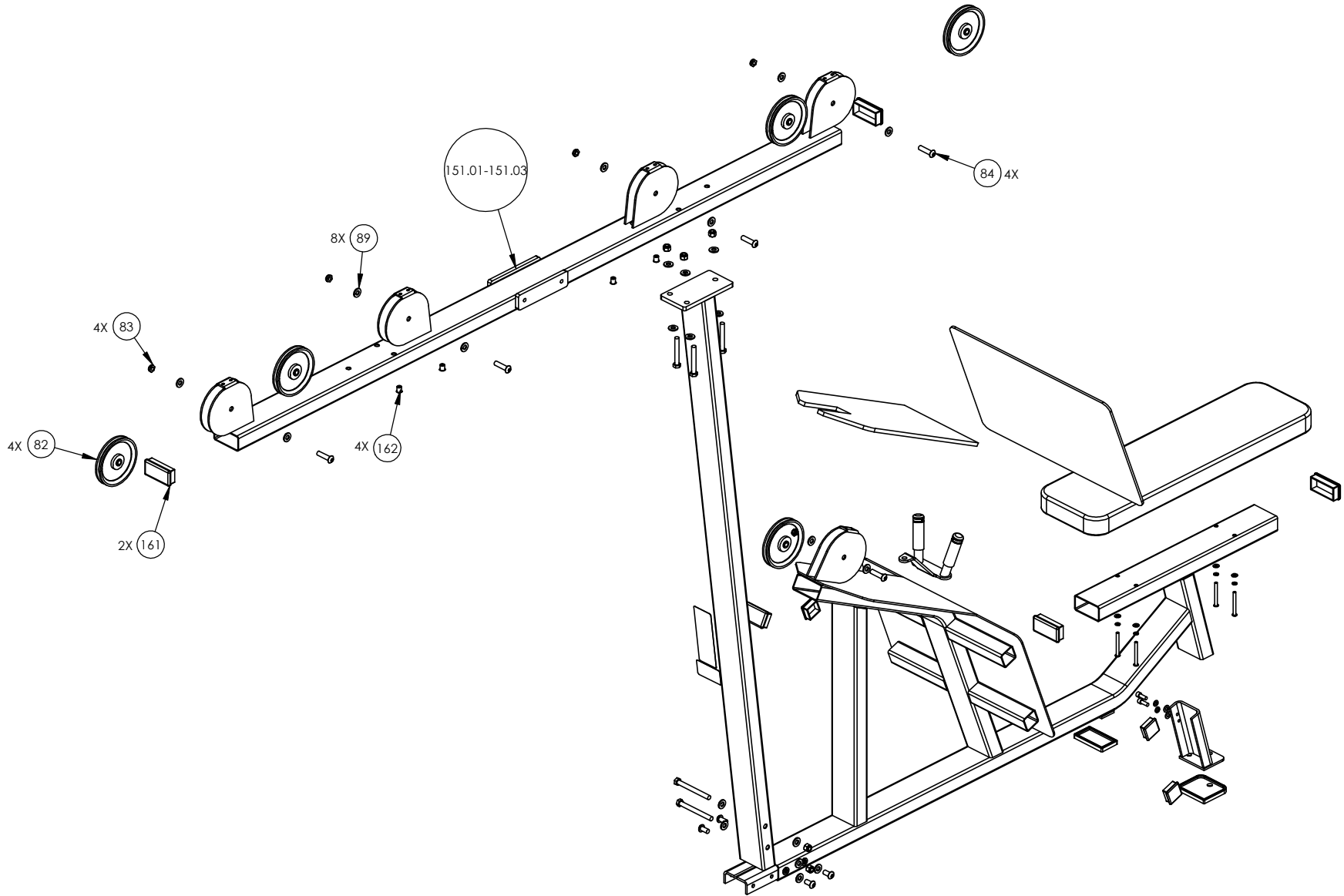
SIZE	PAGE	OF
C	1	1

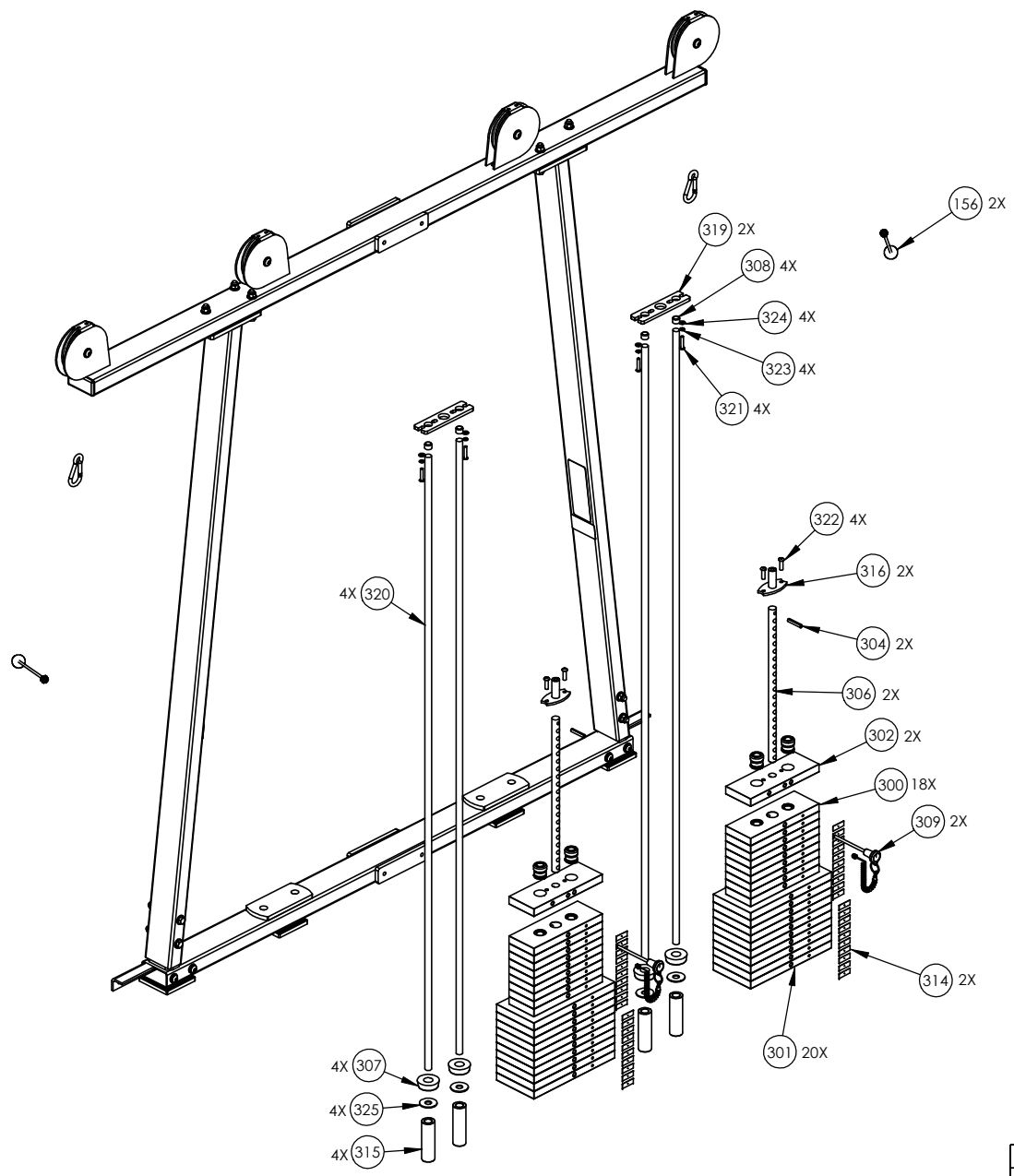


P/N: CW31925-402	SUBREV: E
DRAWN BY: VLE	DATE: 08.18.09
SHEET 1 OF 4	

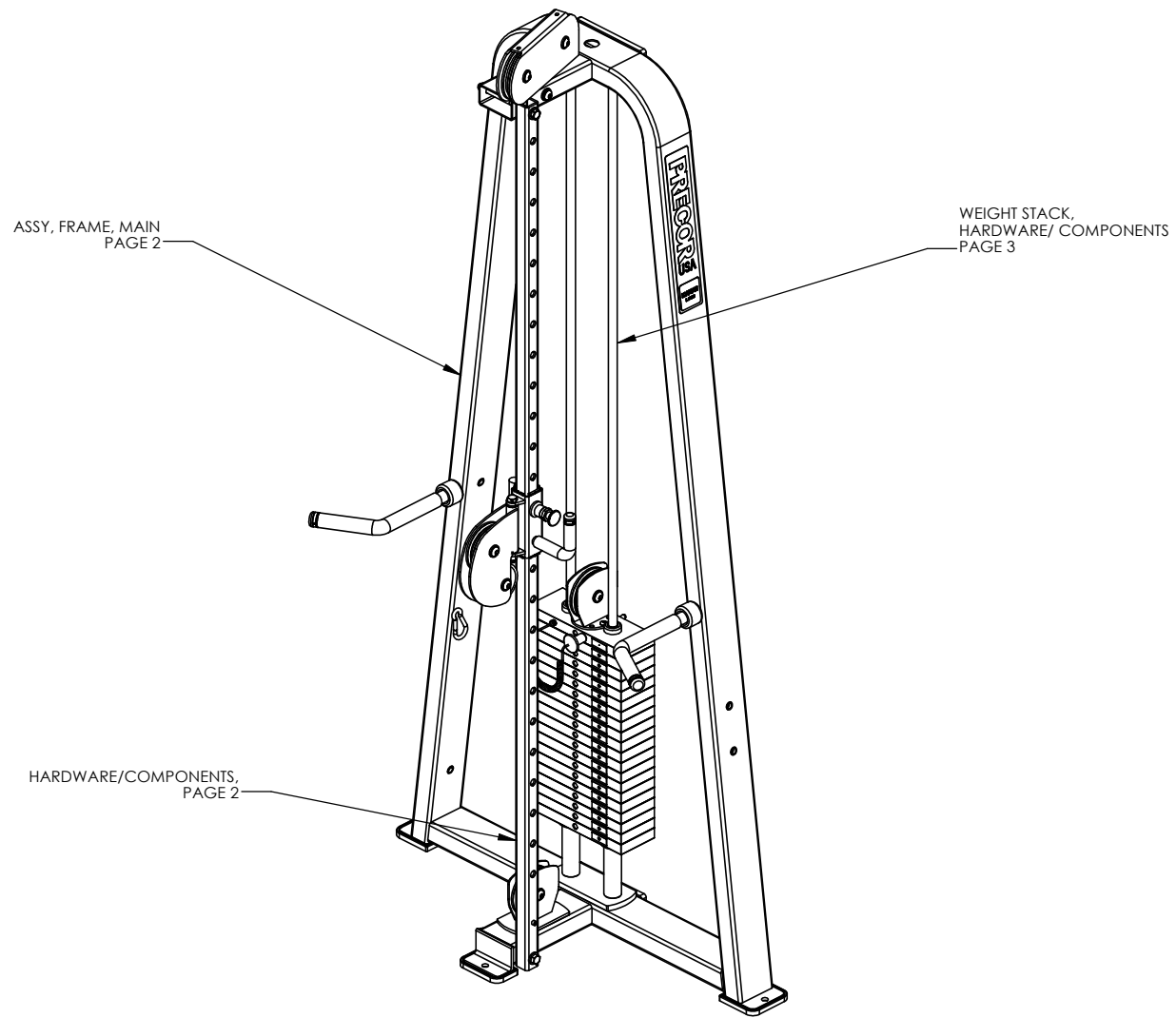


P/N: CW31925-402	SUBREV: E
DRAWN BY: VLE	DATE: 08.18.09
SHEET 2 OF 4	





P/N: CW31925-402		SUBREV: E
DRAWN BY: VLE	DATE: 08.18.09	SHEET 4 OF 4

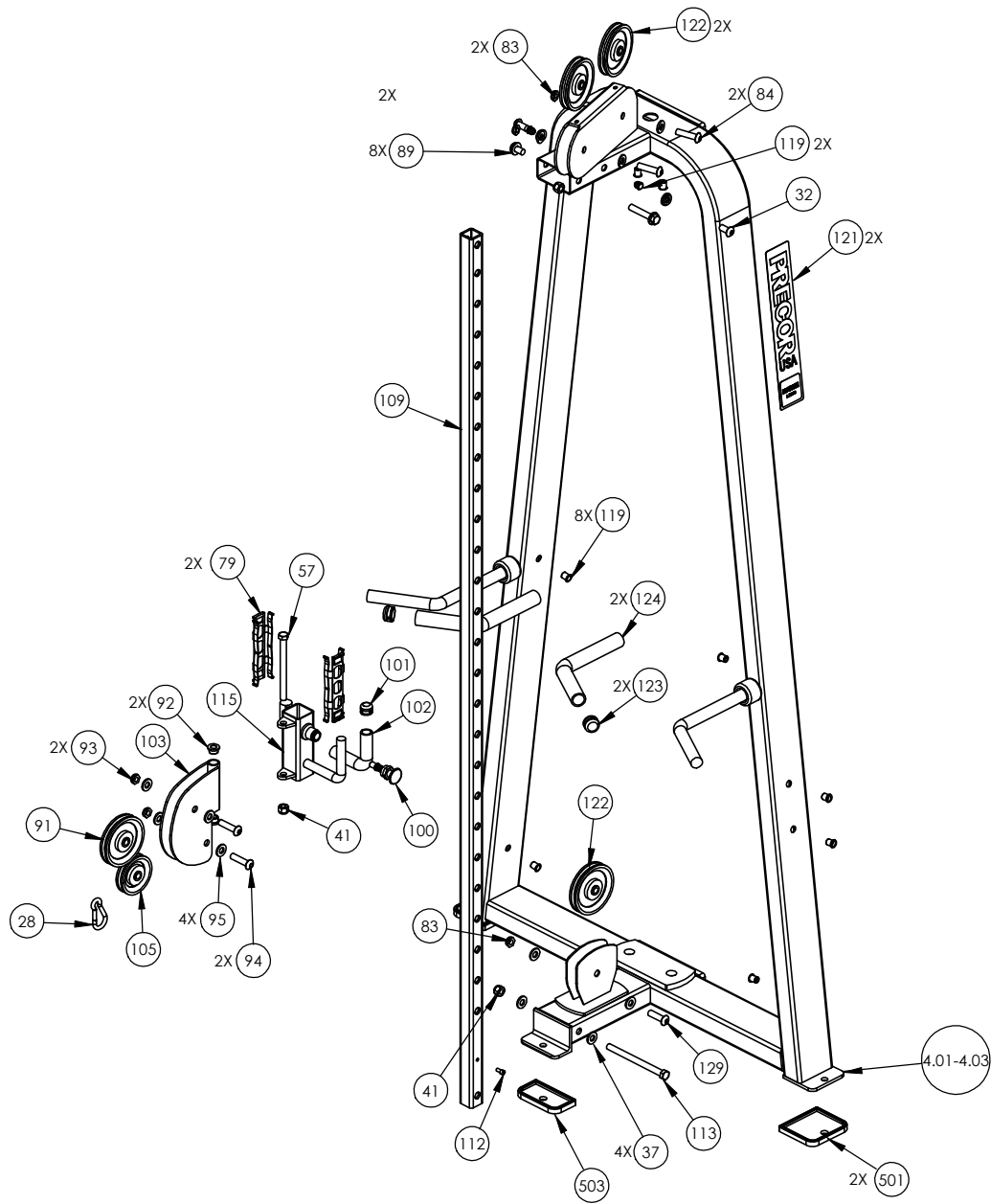


ASSY, FRAME, MAIN
PAGE 2

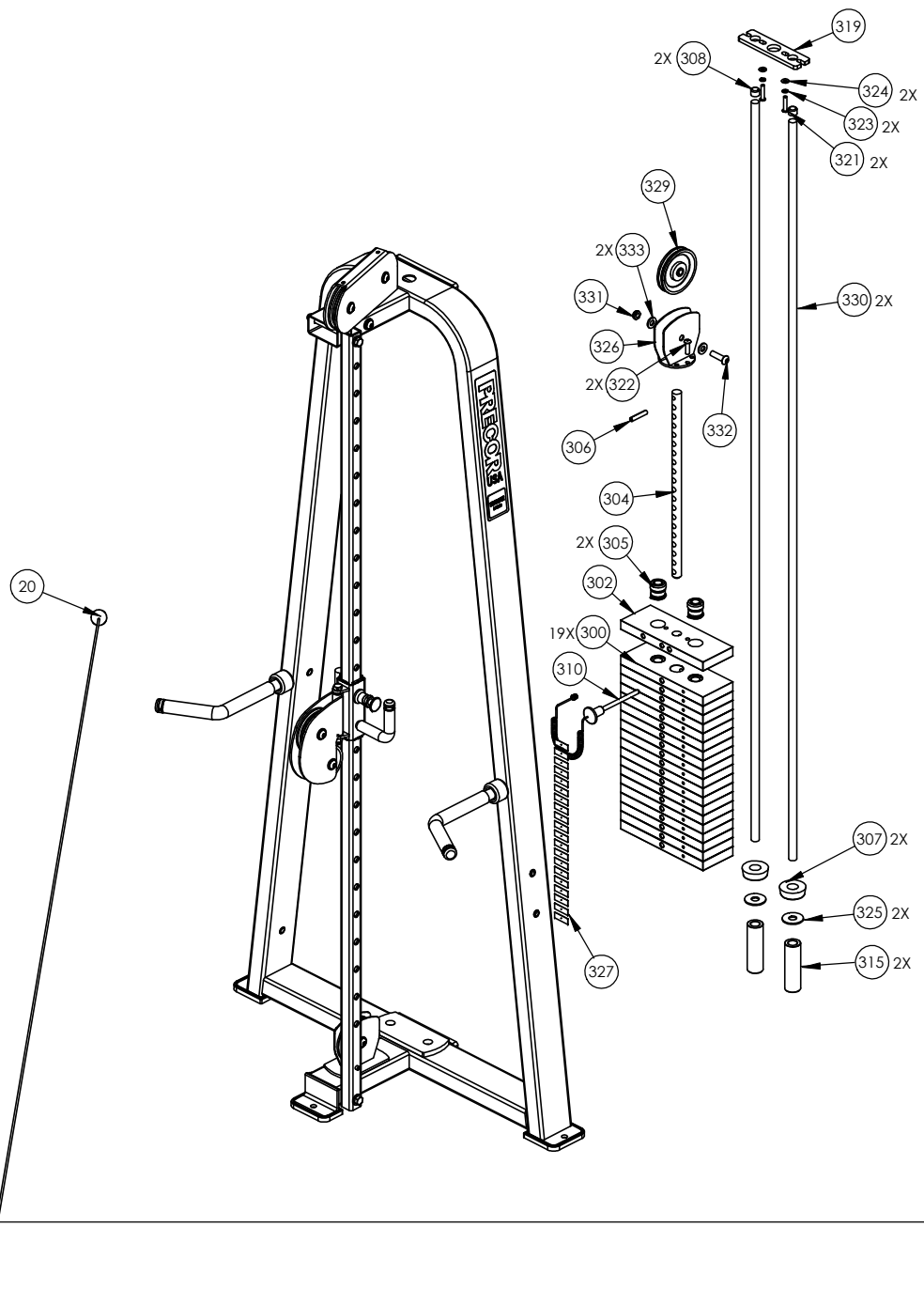
WEIGHT STACK,
HARDWARE/ COMPONENTS
PAGE 3

HARDWARE/COMPONENTS,
PAGE 2

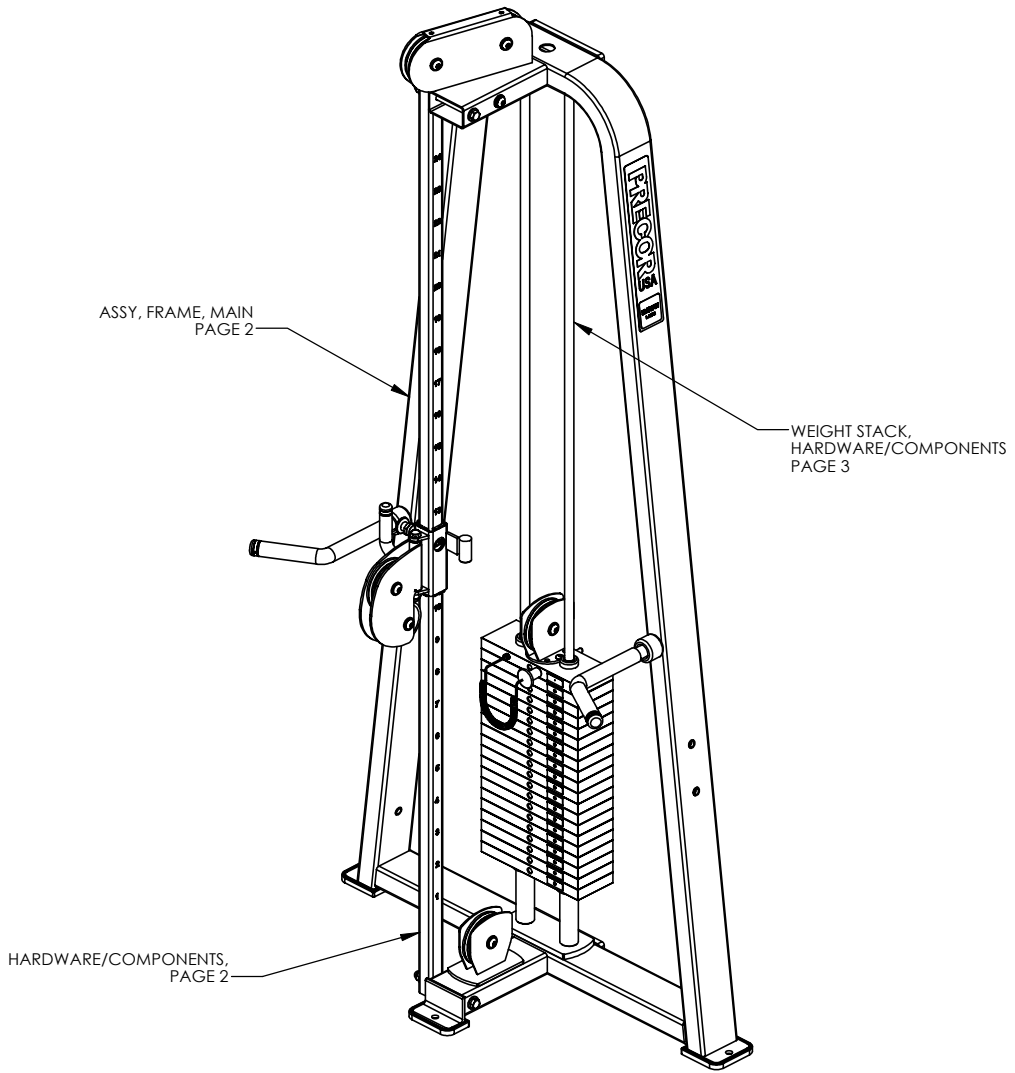
P/N: CW34920-401		SUBREV: A
DRAWN BY: VLE	DATE: 06.24.09	SHEET 1 OF 3



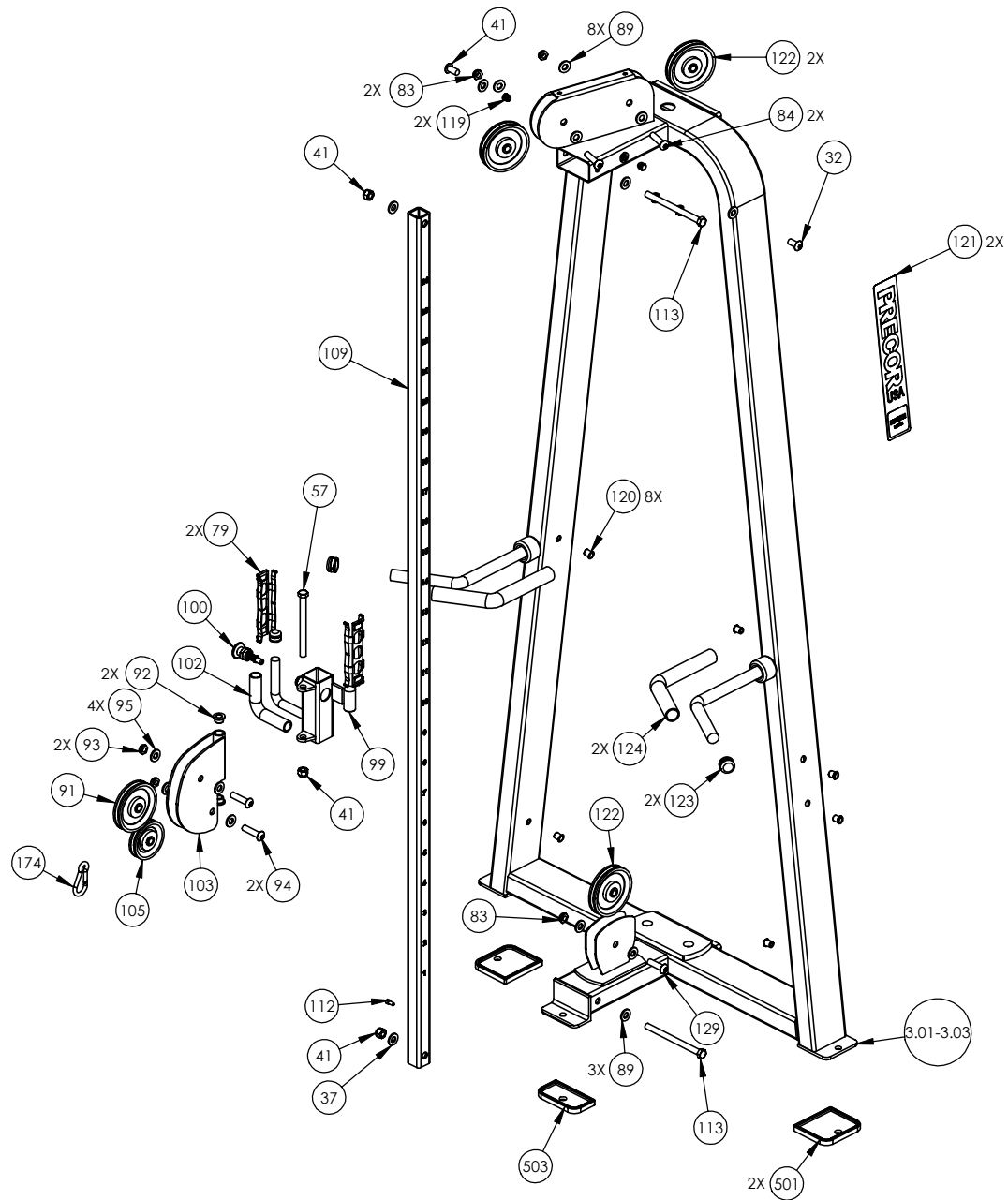
P/N: CW34920-401	SUBREV: A
DRAWN BY: VLE	DATE: 06.24.09
SHEET 2 OF 3	



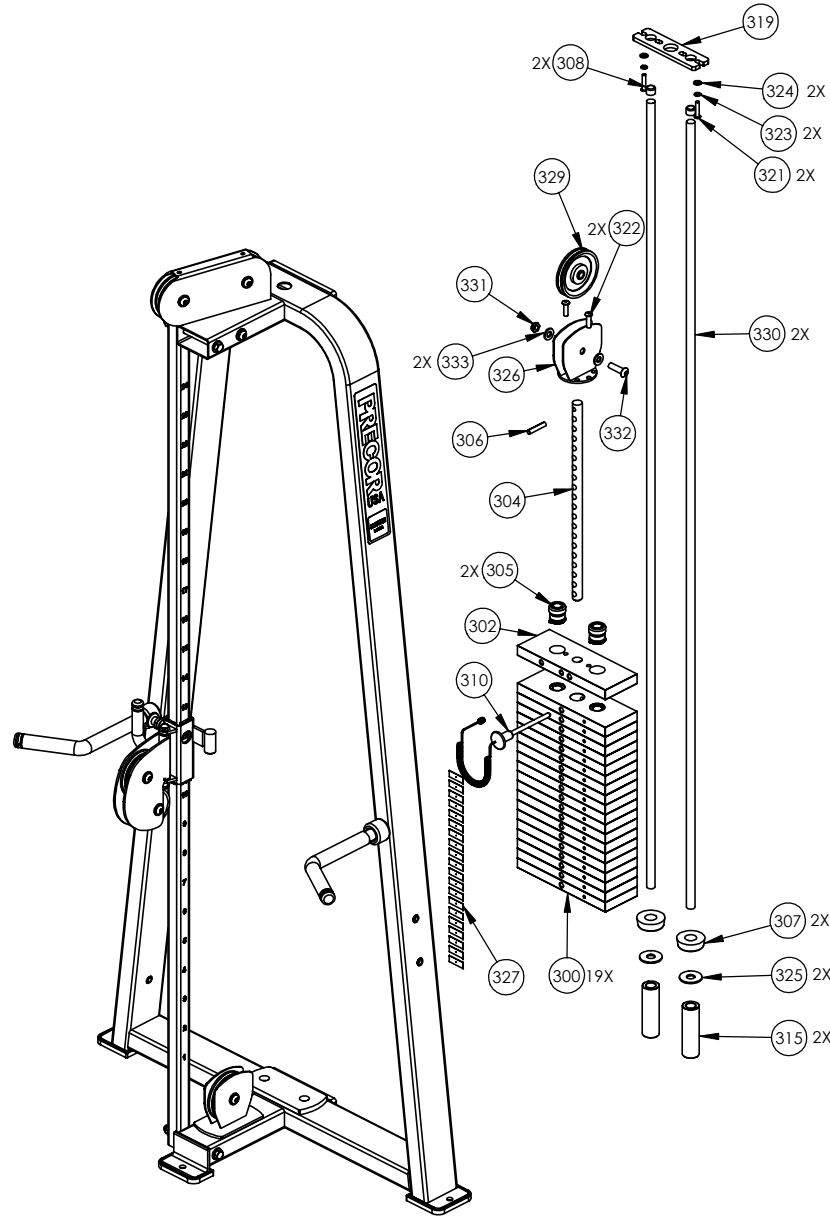
P/N: CW34920-401	SUBREV: A
DRAWN BY: VLE	DATE: 06.24.09
SHEET 3 OF 3	



P/N: CW34921-401	SUBREV: A
DRAWN BY: VLE	DATE: 06.24.09
SHEET 1 OF 3	



P/N: CW34921-401		SUBREV: A
DRAWN BY: VLE	DATE: 06.24.09	SHEET 2 OF 3



P/N: CW34921-401	SUBREV: A
DRAWN BY: VLE	DATE: 06.24.09
SHEET 3 OF 3	